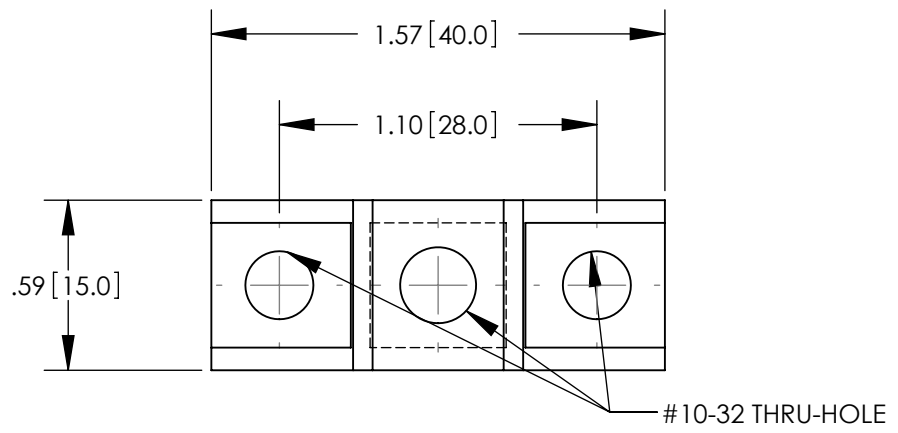
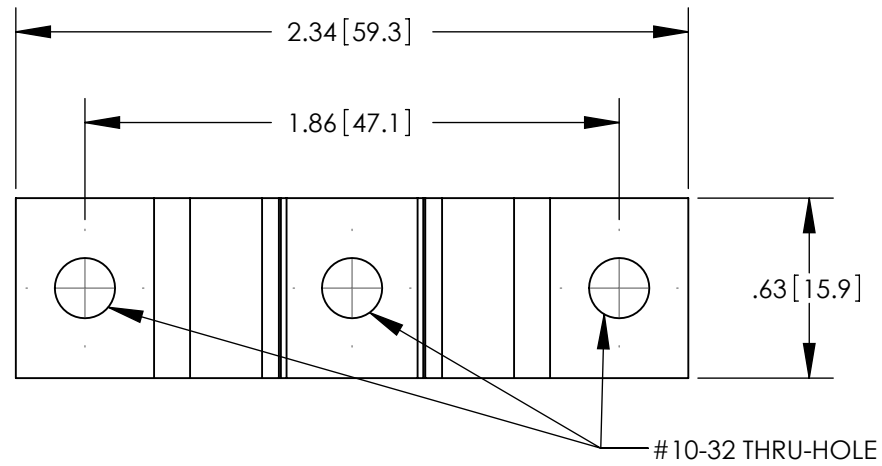
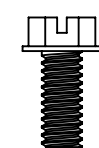
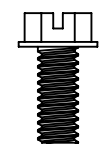
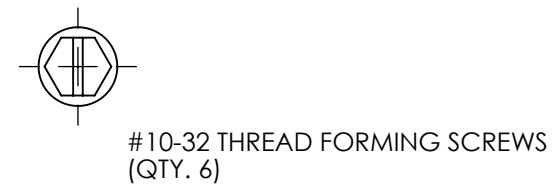
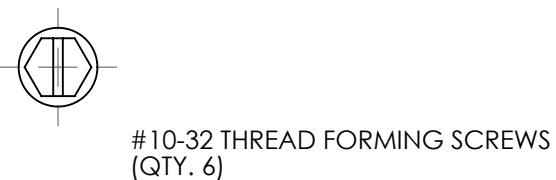
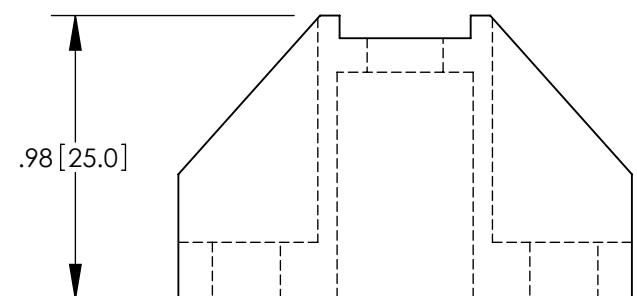
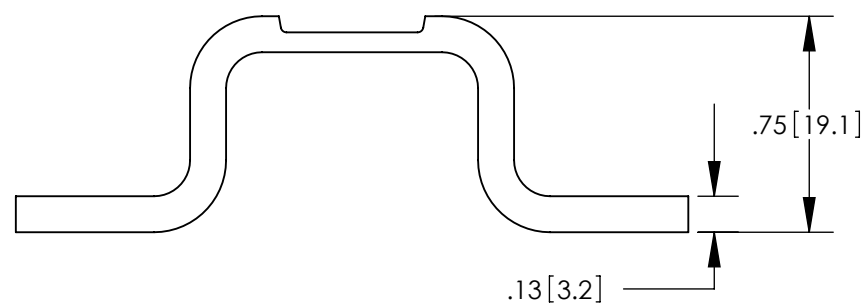


THIS COPY IS PROVIDED ON A RESTRICTED BASIS AND IS NOT TO BE USED IN ANY WAY DETRIMENTAL TO THE INTERESTS OF PANDUIT CORP.



NOTES:

1. MATERIAL:
 UGB-B-SO: CDA-110 ELECTROLYTIC COPPER, TIN PLATED
 UGB-IN-SO: DMC GRADE DR17 RED HARD PLASTIC
 UL 94 V-0 (HALOGEN FREE)
 600V OF INSULATION
2. DESIGNED FOR USE WITH PANDUIT UNIVERSAL GROUND BAR SYSTEM, UGB2/0 SERIES
3. DIMENSIONS IN BRACKETS ARE MILLIMETERS



UGB-B-SO

UGB-IN-SO

														UNIVERSAL GROUND BAR BONDING & ISOLATION STAND-OFFS (UGB-B-SO, UGB-IN-SO) CUSTOMER DRAWING	
										UNLESS OTHERWISE SPECIFIED DIMENSIONAL TOLERANCES ARE: (.X) ± (.XXX) ± (.XX) ± .02 [0.5] ANGLES ±				UNLESS OTHERWISE SPECIFIED, ALL DIMENSIONS ARE GIVEN IN INCHES, THIRD ANGLE PROJECTION	
										DRAWN BY JHNU		MAT'L:		SCALE NONE	
										DATE 1/12		DRAWING NO / CAD FILE 10J017CC-JC		DWG B SIZE	
00	1/12	JHNU	SRBI	RELEASED TO PRODUCTION			10J017CC-JC	RGB	RGB	DATE	1/12	CHK'D SRBI			
REV	DATE	BY	CHK	DESCRIPTION			ECN	-R	SUP	CHK'D	SRBI				